



INDUSTRIAL TECH SOLUTIONS

BE Type Electric Oil Lubrication Pump



Product Model:BE2201、 BE2202、 BE2232、 BE2262

Voltage: AC110V、 AC220V **Volume:**1.5L、 2L、 4L

Product Features: Easy installation, simple wiring; Using a special alloy steel gear pump, with output pressure stability, low noise, long life and other characteristics; Having inadequate level pressure anomaly detection and warning function; Lubrication and pause time can be set, the display panel lights oiling machine working status; The use of Oil Viscosity:30-1000 C.st.

BG Type Motor-driven Grease Pump



Product Model:BG3202、 BG3232、 BG3262、 BG3203、 BG3233

Voltage: AC220V、 AC380V **Volume:**2L、 4L

Product Features: Utilizes two-phase 220V or three-phase 380V motor for powerful operation, easy installation and wiring; Adopting special alloy steel gear pump for stable output pressure, low noise and long service life; With grease level sensor for self-detecting inadequate grease and alarm; Point action switch for any-minute machine lubrication ; The use of Oil Viscosity:NIGL00#-000#.

DR Motor-driven Grease Pump (380V)



Product Model:DR5-3Z

Voltage: AC380V **Volume:**3L **Discharge amount :**500cc/min

Product Features: Utilizes three-phase 380V motor for powerful operation, easy installation and wiring; Adopting special alloy steel gear pump for stable output pressure, low noise and long service life; With grease level sensor for self-detecting inadequate grease and alarm; With pressure switch sensing loop to realize intermittent and action motor integration; The use of Oil Viscosity:NIGL00#-000#

INDUSTRIAL TECH SOLUTIONS

9/7 F,Second Stage, Gary Line Park, Ekala
Tel:94-11-2245689 Mobile:0773385811
Fax:94-11-2245689 Email:indtechlanka@gmail.com


SHANXI BAITE FLUID MACHINERY CO.,LTD

Tel:+86-18635187950 Fax:+86-0351-6583038
Email:info@baite-fluid.com
Website:www.baite-fluid.com




INDUSTRIAL TECH SOLUTIONS

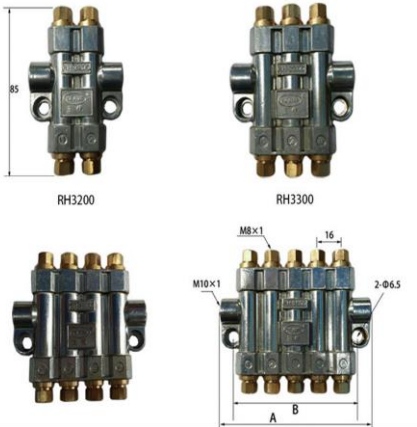
Y-8 Type Hand-operated Oil Pump

	Model	Port dimensions(mm)	outlet location	Volume	Discharge amount (cc/st)	Type
	Y-8A	2-Φ6	Left and right	500cc	8	Resist-type

HP-5 Type Hand-press Oil Pump

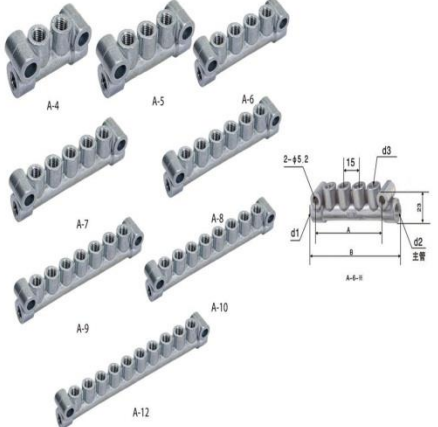
	Model	Port dimensions	No. of Discharge	Volume(L)	Discharge amount (cc/st)	Type
	HP-5L	M8*1	1	0.6	5	Resist-type
	HP-5R					
HP-5M						

Distributor



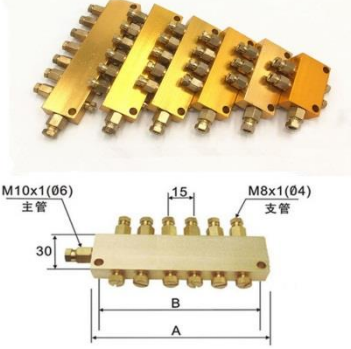
RH3200 RH3300

M8x1 M10x1 16 2-Φ6.5 A B



A-4 A-5 A-6 A-7 A-8 A-9 A-10 A-12

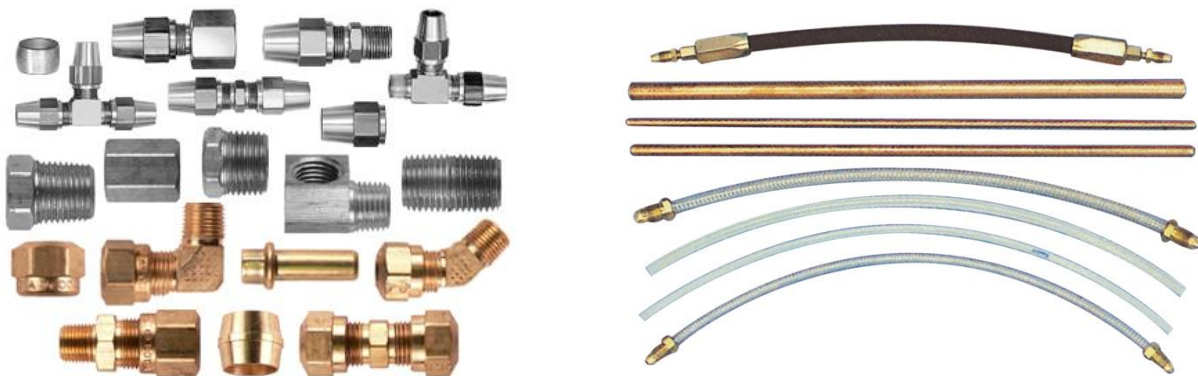
2-Φ5.2 15 d3 d1 A-4-B



M10x1(06) 主管 15 M8x1(04) 支管 30 B A

注: 如主管均为M8×1时, 代號後標注加“-8”, 例:TK-4-8-8
 注: 如主管均为M10×1时, 代號後標注加“-10”, 例:TK-4-8-10
 Note: if main tubes are all M8×1, “-8” is added to the code. e.g. TK-4-8-8
 Note: if main tubes are all M10×1, “-10” is added to the code. e.g. TK-4-8-10

Pipe Joint



INDUSTRIAL TECH SOLUTIONS

9/7 F, Second Stage, Gary Line Park, Ekala
 Tel: 94-11-2245689 Mobile: 0773385811
 Fax: 94-11-2245689 Email: indtechlanka@gmail.com

SHANXI BAITE FLUID MACHINERY CO., LTD

Tel: +86-18635187950 Fax: +86-0351-6583038
 Email: info@baite-fluid.com
 Website: www.baite-fluid.com